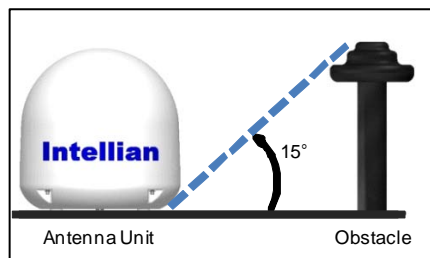


# Intellian i3,i4,i6/i6P Quick Installation Guide

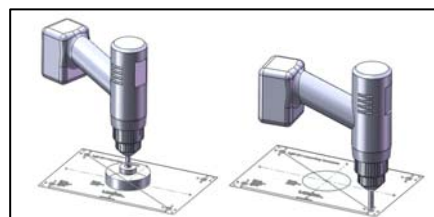
*\*Detail System Setup (Please refer to "Installation and User Manual.")*

## 1. Select a location for the antenna.



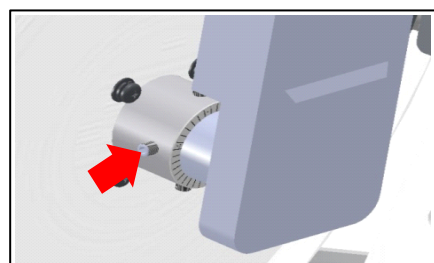
- Make sure nearby objects do not block the antenna.
- Avoid unnecessary motion by locating the antenna as near as to the centerline of the boat.

## 2. Prepare the mount



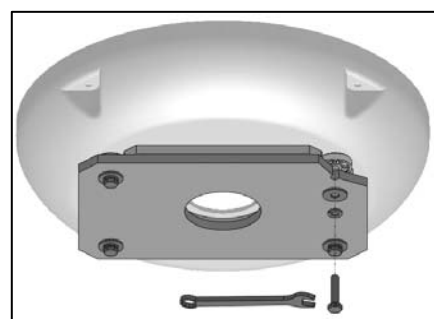
- Attach the installation template to the mounting surface using adhesive tape.
- Remove the shaded center portion by using a hole saw.
- Drill 4 bolt holes.

## 3. Prepare the Antenna



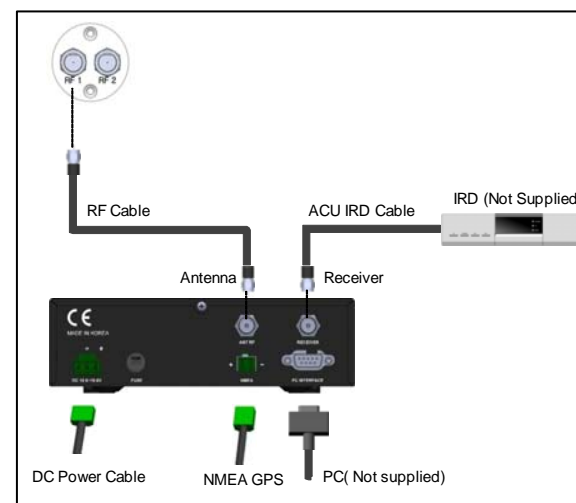
- Open the antenna upper dome and remove the shipping restraint foam.
- Adjust the LNB Skew Angle (Linear Polarization Only).  
*-i6P has an embedded auto skew sensor which is not required to adjust.*
- Loosen screws of the connection of LNB and feed horn.
- Tighten screws to fix the LNB position.

## 4. Secure the Antenna



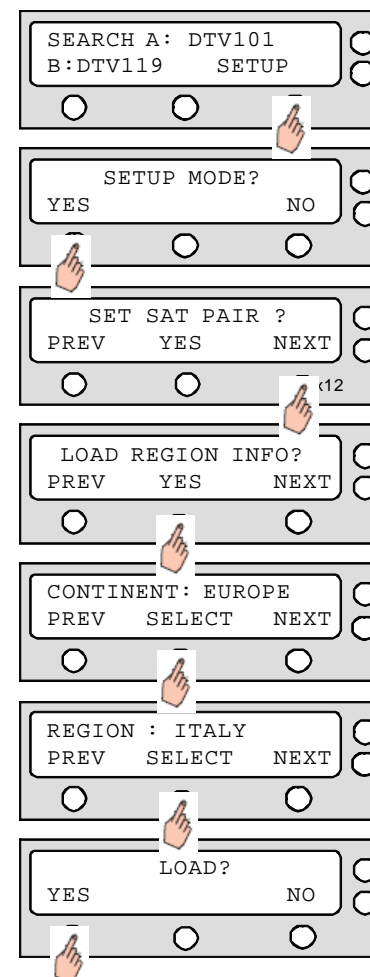
- Secure the antenna to the mount base using bolts, spring washers, and flat washers.

## 5. Connect the System Cables



- Connect the RF Cable from the RF 1 connector on the antenna to the ANT. RF1 connector on the rear of ACU.
- Connect the ACU-IRD Cable from the RECEIVER connector on the rear of the ACU to RF on the IRD.
- Connect the power cable from DC power connector on the rear of ACU to a power source of DC (10.8~15.6V).

## 6. Set Region (Nation/City) in ACU



- Turn on ACU power and you will see USA DTV101 and DTV 119 as the default.
- Please select your region (Nation/City) after selecting the continent. Once the "set region" has been done, you will not need to adjust GPS and the target tracking satellites.
- Enter "SETUP MODE" and Press NEXT 12 times to enter "Load Region Info" menu.
- Select Continent and Press NEXT to select alternative continents.
- Select Region and Press NEXT to select alternative Nation/City.
- Press "YES" to load setting to your antenna.